

PRO-2 PB | COMPACT PIPE BEVELLER

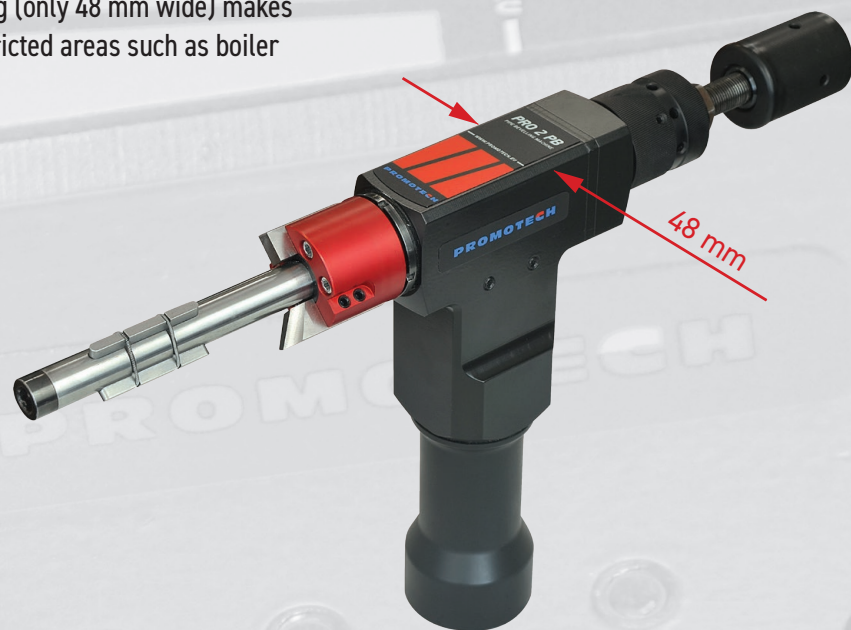
PRO-2 PB is a compact, handy pipe beveler that mills pipes made of carbon and stainless steel, aluminum alloys, and copper-nickels. The machine can face off and bevel pipes from inner diameters (ID) of 22 mm (0.87") to outer diameters (OD) of 48 mm (1.89").

Small pipes from ID 15.5 mm (0.61") up to OD 30 mm (1.18") can be beveled with optional small mandrel set.

PRO-2 PB is able to mill also larger pipes from ID 42 mm (1.65") up to OD 60.3 mm (2.37") by means of an optional extension set.

Its exceptionally narrow housing (only 48 mm wide) makes it perfectly suited to space restricted areas such as boiler water walls.

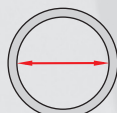
PRO-2 PB incorporates overload systems incl. wet multi-disk friction clutch to prevent gear damage if the tool gets stuck.



3 different sources of power to choose from:



Max wall thickness up to 8 mm (0.32")



ID 22-42 mm (0.87-1.65")
15.5-22 mm (0.61-0.87") /option/
42-58 mm (1.65-2.28") /option/



Facing off



Pipe OD beveling up to 48 mm (1.89") up to 60.3 mm (2.37") /option/

TECHNICAL SPECIFICATION	PRO 2 PB with air motor	PRO 2 PB with electric motor	PRO 2 PB with battery motor
Air requirement	0.6 MPa (87 psi)	-	-
Air consumption	1400 l/min (50 CFM)	-	-
Voltage	-	1 ~ 220-240 V, 50-60 Hz	18 V DC, 5.2 Ah
Power	800 W	1100 W	-
Connection	CEJN 410 DN 10.4 R 1/2" BSPT fitting for quick-coupling	Electrical plug	Battery connection
Nominal rotational speed	105 rpm	10-134 rpm (gear 1) 30-377 rpm (gear 2)	10-60 rpm (gear 1) 30-205 rpm (gear 2)
Pipe diameter	22 mm ID - 48 mm OD 15.5 mm ID - 30 mm OD* 42 mm ID - 60.3 mm OD**	22 mm ID - 48 mm OD 15.5 mm ID - 30 mm OD* 42 mm ID - 60.3 mm OD**	22 mm ID - 48 mm OD 15.5 mm ID - 30 mm OD* 42 mm ID - 60.3 mm OD**
Maximum pipe wall thickness	8 mm 3.5 mm*	8 mm 3.5 mm*	8 mm 3.5 mm*
Weight with motor	7.6 kg (17 lbs)	7.4 kg (16.5 lbs)	6.5 kg (14.5 lbs), includes battery

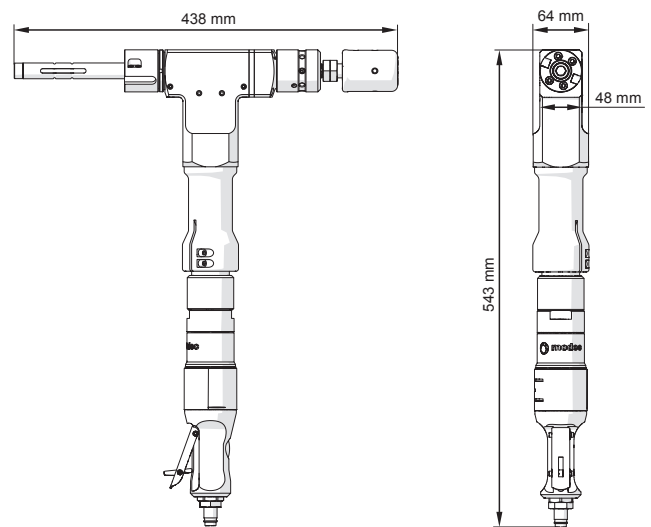
*With an optional small mandrel set (ZST-0567-20-00-00-0).

** With an optional extension set (ZST-0567-21-00-00-0).

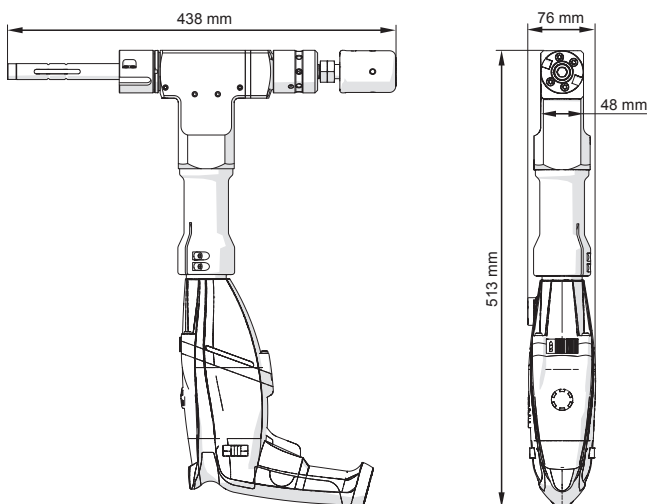
Standard shipping set:

- Beveling machine (without motor, tool bits)
- Metal box
- Standard self-centering expandable mandrel for pipe ID \varnothing 22-42 mm (0.87-1.65")
- 2 sets of jaws (NO. 4, 5), 3 sets of jaw blocks (no. 6, 7, 8) and 5 sets of springs (no. 4, 5, 6, 7, 8) for standard mandrel
- Tool bit holder
- Spring gauge
- Handle
- Coolant container with nozzle
- Set of tools
- Operator's manual

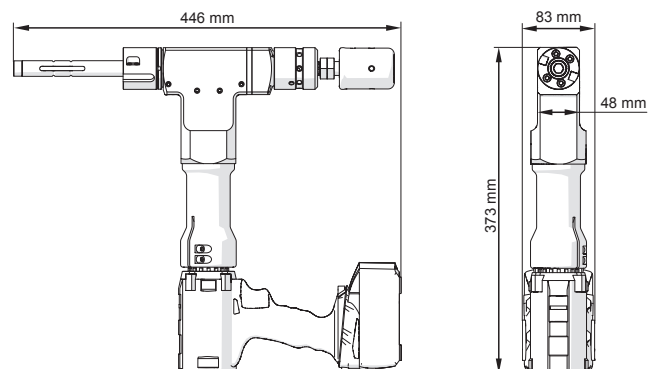
Dimensions



PRO 2 PB with pneumatic motor



PRO 2 PB with electric motor



PRO 2 PB with battery motor

Optional accessories:

Pneumatic motor
Product Code:
NPD-0472-03-00-00-0



Adapter and driver
Product Code:
ZST-0567-24-00-00-0

Electric motor
Product Code: SLN-000238 (230 V)



Driver
Product Code:
ZBI-0567-25-00-00-0

Battery motor and two 5.2 Ah batteries
Product Code: WRT-000021



Driver
Product Code:
ZBI-0567-26-00-00-0



5.2 Ah battery
Product Code: AKM-000088



Battery charger
Product Code:
LDV-000008 (230 V CEE)
LDV-000010 (120 V UK)
LDV-000011 (230 V AU)



Air preparation set
Product Code: ZST-000021



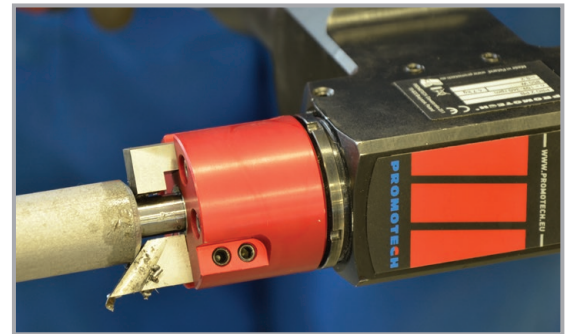
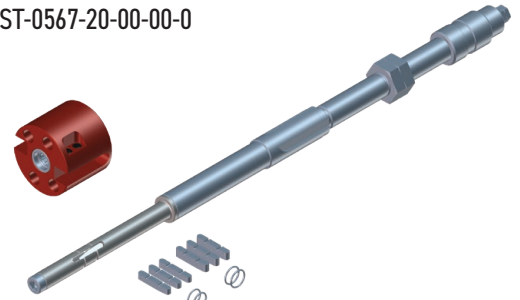
HD-CUT OIL 1 - tapping, drilling and machining fluid
Product codes:
OLJ-0505-09-00-00-0 (0.5 kg)
OLJ-0505-10-00-00-0 (1.0 kg)
OLJ-0505-11-00-00-0 (5.0 kg)



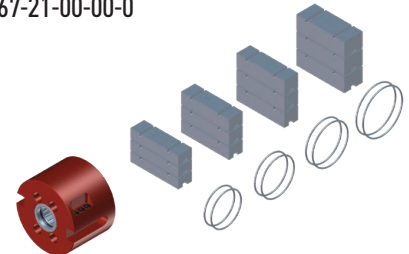
Tool bits:

NOZ-000071 for steel	0° facing tool bit short	
NOZ-000078 for stainless steel	0° facing tool bit short*	
NOZ-000072 for steel	0° facing tool bit long	
NOZ-000079 for stainless steel	0° facing tool bit long*	
NOZ-000073 for steel	30° beveling tool bit	
NOZ-000080 for stainless steel	30° beveling tool bit*	
NOZ-000074 for steel	37.5° beveling tool bit	
NOZ-000081 for stainless steel	37.5° bevelling tool bit*	
NOZ-000075 for steel	45° beveling tool bit	
NOZ-000082 for stainless steel	45° beveling tool bit*	

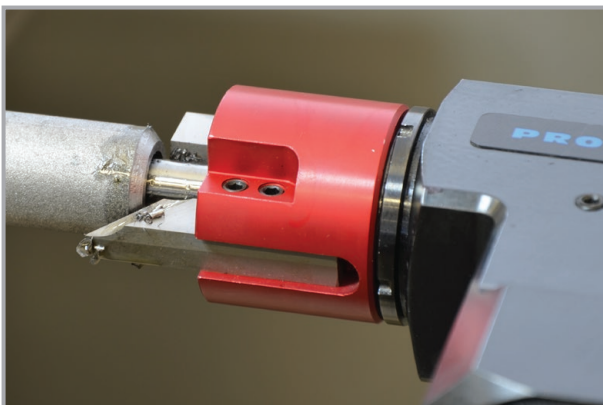
Small mandrel set for pipes
from ID 15.5 mm (0.61")
up to OD 30 mm (1.18")
Product Code:
ZST-0567-20-00-00-0



Extension set for pipes from ID 42 mm (1.65")
up to OD 60.3 mm (2.37")
Product Code:
ZST-0567-21-00-00-0



*Tool bits for stainless steel feature TiAlN coating



All information is subject to change without notice. 21.11



PROMOTECH Sp. z o.o.
ul. Elewatorska 23/1, 15-620 BIAŁYSTOK, POLAND
tel. (+48 85) 678 34 05, fax (+48 85) 662 78 77
marketing@promotech.eu www.promotech.eu

Your local dealer:

